



Wattage & Color Temperature
SELECTABLE

T634LEDB-M-WS100

MEDIUM LED FULL CUT-OFF WALL PACK

JOB INFORMATION

Type: _____
 Catalog No: _____
 Project Name: _____
 Comments: _____
 Prepared by: _____

T633LEDB

USE OF PRODUCT

The intended use of this product is for any outdoor commercial or industrial building accent, pedestrian walkways, public access areas, or recreation areas.

HOUSING

Rugged die cast aluminum housing with hinged frame. 0.87" Coin plugs for photocell and motion sensor

FINISH

Matt-finished, architectural bronze powdercoat over a precise chromate conversion coating. Available in standard dark polyester bronze or consult factory for made to order architectural finishes.

OPTICS

Field-adjustable optics, allowing the light distribution to be modified in the field to T2, T3, or T4.

LED

LED engine available in 3000K, 4000K, 5000K in 80 CRI. Color temperature may be modified in field.

DRIVER

Durable and long lasting LED driver operates at 120-277V and boasts a 90% power factor at 50/60 Hz with 0-10V Dimming Constant Current. Fixture is Wattage selectable (60W, 80W, 100W). Wattage may be modified in field.

MOUNTING

Cast-in template for mounting directly over a 4" recessed junction box.

LISTINGS/COMPLIANCE

- UL - Listed for wet location.
- DLC qualified.
- Dark Sky Compliant.
- CEC compliant emergency driver.
- IP65.

PERFORMANCE DATA

Wattage	Delivered Lumens	Voltage	CRI
60W	8400lm	120-277V	80
80W	11200lm	120-277V	80
100W	14000lm	120-277V	80

140 lm per watt

*Detailed performance chart may be found on page 2



ORDERING INFORMATION

SERIES	SIZE	WATT/LUMENS	COLOR TEMPERATURE	VOLTAGE	DISTRIBUTION TYPE
T634LEDB	M - Medium	WS100 - Wattage Selectable (60W, 80W, 100W) S60W - Wattage set at 60W S80W - Wattage set at 80W S100W - Wattage set at 100W	CTS - Color Temperature Selectable (3000K, 4000K, 5000K) S30K - Color Temp. set at 3000K S40K - Color Temp. set at 4000K S50K - Color Temp. set at 5000K	UNV - 120V-277V	DS - Distribution Selectable ST2 - Set at Type II ST3 - Set at Type III ST4 - Set at Type IV

FINISH	INCLUDED	OPTIONS
BZ - Bronze MTO - Made to Order MGTO - Marine Grade Made to Order	PC - Photocell 120-127V	MSI¹ - Standard PIR Motion Sensor Integral MSR - Standard PIR Motion Sensor Remote BB¹ - Back Box EM20W - 20W Emergency Battery

Notes
 1. Back Box is required for the MSI

T634LEDB-M-WS100

MEDIUM LED FULL CUT-OFF WALL PACK

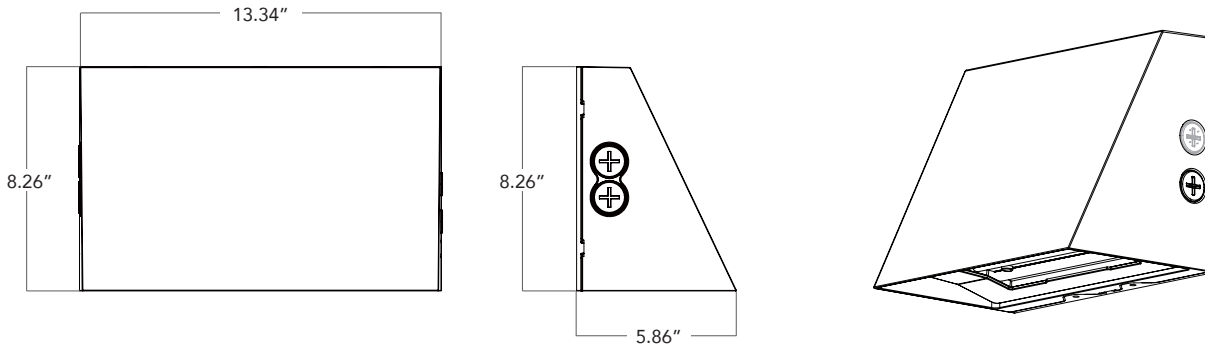
DETAILED PERFORMANCE CHART

WATTAGE	DISTRIBUTION TYPE	CRI	3000K	4000K	5000K	BUG
60W	T2	80	8351 lm	8896 lm	8776 lm	B3-U0-G2
	T3	80	8330 lm	8442 lm	8684 lm	B3-U0-G1
	T4	80	8158 lm	8541 lm	8597 lm	B2-U0-G1
80W	T2	80	10738 lm	11830 lm	11421 lm	B3-U0-G2
	T3	80	10862 lm	11564 lm	11603 lm	B3-U0-G2
	T4	80	10582 lm	11136 lm	11064 lm	B3-U0-G2
100W	T2	80	12674 lm	13956 lm	13495 lm	B3-U0-G2
	T3	80	13128 lm	13780 lm	13555 lm	B3-U0-G2
	T4	80	12609 lm	13299 lm	13246 lm	B3-U0-G2

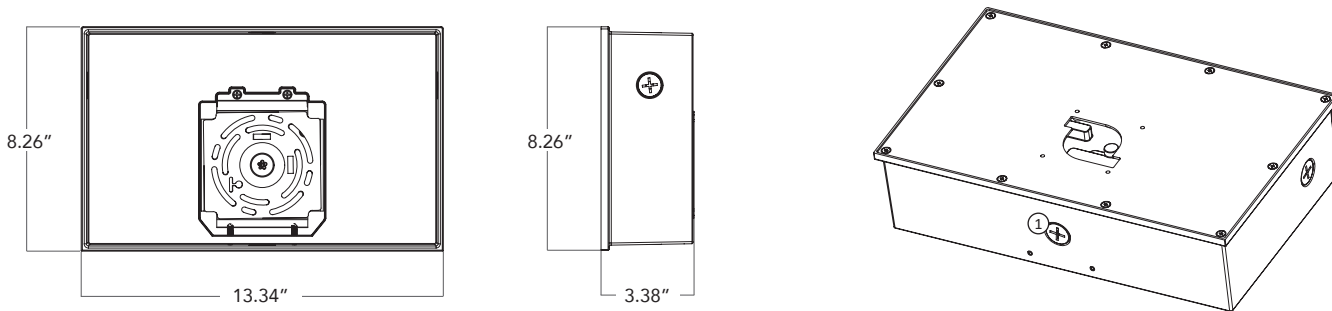
T634LEDB-M-WS100

MEDIUM LED FULL CUT-OFF WALL PACK

DIMENSIONS

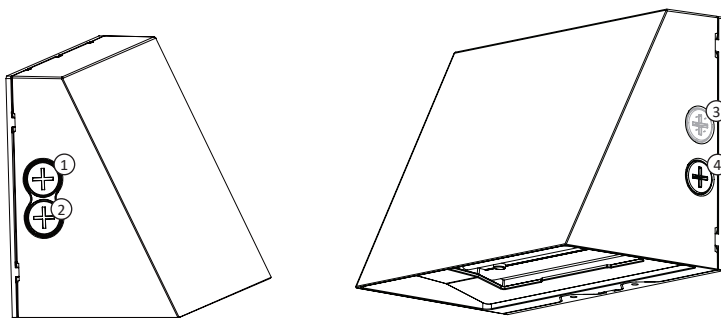


BACK BOX DIMENSIONS



1. Integral motion sensor (order separately)

OPTIONS & SETTINGS



1. Distribution type & color temperature switch
2. Wattage selection switch
3. Photocell (included)
4. Remote motion sensor (order separately)